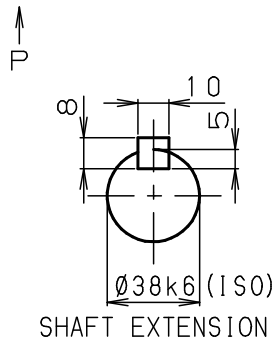
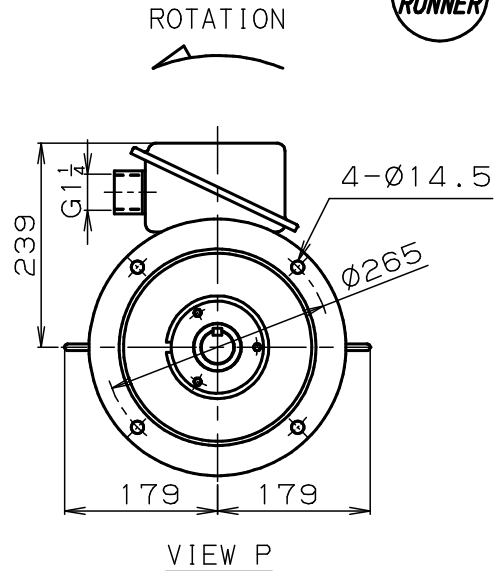
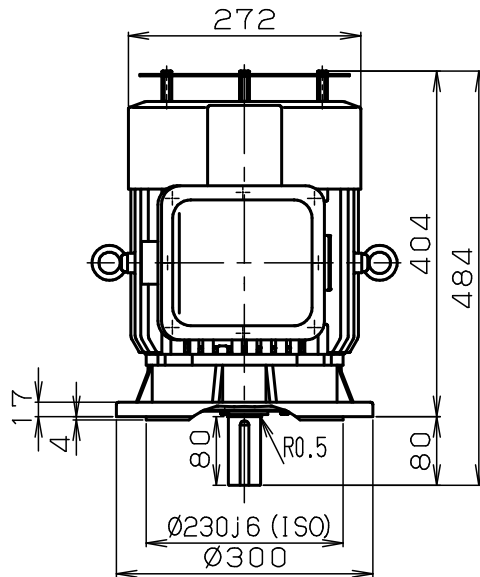


INDUCTION MOTOR

(OUTDOOR USE)

RoHS

TOP RUNNER



DIMENSIONS IN mm

HIGH VOLTAGE		CONNECTION	LOW VOLTAGE	
STARTING	RUNNING		STARTING	RUNNING
R S T	R S T		R S T	R S T
U ₁ V ₁ W ₁	U ₁ V ₁ W ₁		U ₁ V ₁ W ₁	U ₁ V ₁ W ₁
U ₂ V ₂ W ₂	V ₄ W ₄ U ₄		U ₃ V ₃ W ₃	U ₃ V ₃ W ₃
U ₃ V ₃ W ₃	V ₂ W ₂ U ₂		V ₂ W ₂ U ₂	V ₂ W ₂ U ₂
V ₄ W ₄ U ₄	V ₃ W ₃ U ₃		V ₄ W ₄ U ₄	V ₄ W ₄ U ₄

MLU1133D	132S	4	3	5.5kW	200-400/200-400 220-440	50/60	1470/1760 1770
TYPE	FRAME	POLES	PH	OUTPUT	VOLT	Hz	min ⁻¹
21-10.5/20 -10 18.5- 9.3	S1	155 (F)	マツセル N1.2	IP55	JISC4213	IC411	
A M P	RATING	INSUL	COLOR	PROTECTION	RULE	COOLING	
90.8/91.7 92.0%	IE3/IE3 IE3	FF265			D-END	6308ZZ	
E F F	IE CODE	FLANGE			N-END	6207ZZ	
					BEARING		

CUSTOMER : _____
 VIA : _____
 APPLICATION : _____

W. OD. _____
 ORDER NO. _____
 W. NO. _____

	DATE	NAME	APPROVED		Fuji Electric Co., Ltd.
DRAWN					
CHECKED				DWG. NO.	YH548236